

AIR GRIP 2

SKYRIV®

THE RIVET JOINING SYSTEMS



SKYLOG SDN. BHD.

MALAYSIA | THAILAND | SINGAPORE | VIETNAM
INDONESIA | CHINA

No 9-1, Jalan Sungai Burung Z32/Z,
Bukit Rimau, Seksyen 32,
40460 Shah Alam, Selangor,
Malaysia.

Tel : +603 5525 8299

Sales : +6016 9922 733

Email : cs@skylog.com.my

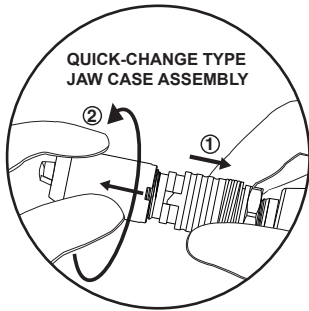
www.skylog.com.my/industrial

Air-Grip™ 2 is an industrial production Air Rivet Tool with Robust Forged Aluminum Alloy Oil Cylinder, Ergonomically Designed Handle, High Traction Force 9,000 N or 2,000 Lbf and Long Stroke 18 mm or 0.71", Innovative Quick-Change Type Jaw Case Assembly, very ideal for Intensive fastening 2.4 ~ 4.8/5.0 mm or 3/32" ~ 3/16" all HSS (High Strength Structural), all Structural (like *Monobolt®, *Interlock®, *Hemlok®, *Magna-Lok®, *Auto-Bulb®, etc.) and all Standard Blind Rivets simply by exchanging interchangeable Nosepieces.

SPECIFICATIONS

- **Traction Force:** 9,000 N at 6.2 bar or 2,000 Lbf at 90 psi compressed air pressure
- **Stroke:** 18 mm or 0.71"

FEATURES



- **Innovative Quick-Change Type Jaw Case Assembly** for fast cleaning or replacing inside parts (Jaws, Jaw Pusher, etc.) just by hand without any wrenches.

- **Robust Forged Aluminum Alloy Oil Cylinder with Titanium Color finish and High Strength Aluminum Alloy Air Cylinder** for strength, durability and valuable look.

- **Mirror finish on the Inner Walls of Oil Cylinder and Air Cylinder** for precision and wear resistance.

- **Hard Chrome Plating and Mirror finish on the Rods of Oil Piston and Air Piston** for fast operation and long operation life.

RIVETING CAPACITY

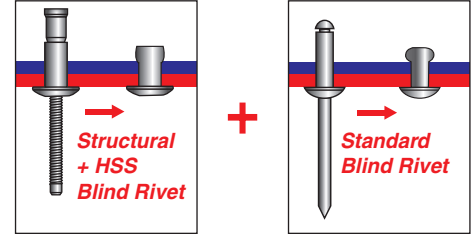
Rivet Diameter	Rivet Material	Aluminum	Steel	Stainless Steel (Inox)
2.4 mm or 3/32"		●	●	●
3.0/3.2 mm or 1/8"		●	●	●
4.0 mm or 5/32"		●	●	●
4.8/5.0 mm or 3/16"		●	●	●
4.0 mm or 5/32"	Structural/HSS Rivets	●	●	●
4.8/5.0 mm or 3/16"	Structural/HSS Rivets	●	●	●

REMARKS: • HSS Rivets = High Strength Structural Rivets, with approx. 0.25 mm or 0.01" Bigger Mandrel Diameter. Special HSS Nosepieces are available.

- Monobolt®, Interlock® and Hemlok® are the registered trademarks of AVDEL. Special Monobolt® Nosepieces are available.
- Magna-Lok® and Auto-Bulb® are the registered trademarks of HUCK.



TÜVRheinland
CERTIFIED

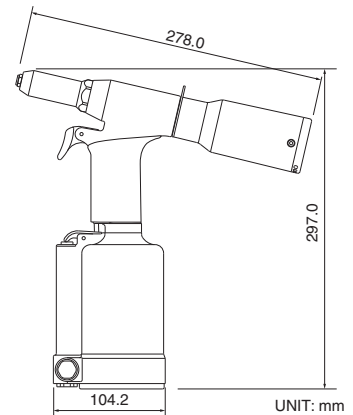


- **Spent Mandrel Container** for visible check protects operator's eyes and keep working places clean.

- **Smart Ergonomically Designed Handle and PAHs-Free (non-toxic to hand skin) Plastic Soft Grip** offer balanced, safe and comfortable operation.

- **Innovative Shock-Reducer Design™, Noise Silencer Design™, Rivet Size Hole Gauge Design™, Nosepieces Storage Design™, Oil Refill Hole Design™, Twin Air Inlets Design™, 360° Double Swivel Air Fitting, All Metallic Structure.**

DIMENSIONS & WEIGHT



- **Weight:** Approx. 1.99 Kg or 4.39 Lb

SKYLOG SDN. BHD.

No 9-1, Jalan Sungai Burung Z32/Z, Bukit Rimau, Seksyen 32, 40460 Shah Alam, Selangor, Malaysia

TEL : +60 3 5525 8299

SALES : +6016 9922 733

✉ cs@skylog.com.my

🌐 www.skylog.com.my/industrial