

ANS-120

SKYRIV®

THE RIVET JOINING SYSTEMS



SKYLOG SDN. BHD.

MALAYSIA | THAILAND | SINGAPORE | VIETNAM
INDONESIA | CHINA

No 9-1, Jalan Sungai Burung Z32/Z,
Bukit Rimau, Seksyen 32,
40460 Shah Alam, Selangor,
Malaysia.

Tel : +603 5525 8299

Sales : +6016 9922 733

Email : cs@skylog.com.my

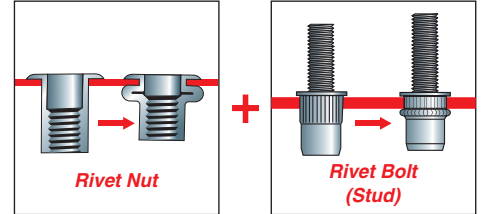
www.skylog.com.my/industrial

SKYLOG® ANS-120 Industrial Heavy-Duty Semi-Automatic PNEUMATIC-HYDRAULIC RIVET NUT & RIVET BOLT TOOL

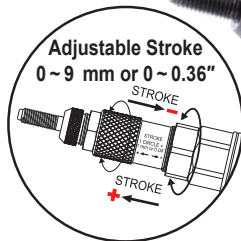
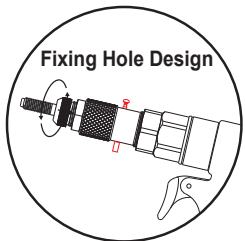
ANS-120 is an industrial Air Rivet Nut Tool for the precise fastening work, with Powerful Traction Force maximum 23,500 N or 5,280 Lbf and Adjustable Stroke 0 ~ 9 mm or 0 ~ 0.36", unique Adjustable Fastening Speed Design™ and Semi-Automatic Operation with special *Hand Spin In – Air Pull – Hand Spin Out Design™* for specific application purposes and saving cost, very ideal for fastening M3 ~ M12 or 6-32 ~ 1/2" Rivet Nuts and M3 ~ M8 or 6-32 ~ 5/16" Rivet Bolts (Studs) in all materials (Aluminum, Steel and Stainless Steel / Inox) in the Painted Car Body, Thin Work Piece and Specific Applications.

SPECIFICATIONS

- **Traction Force:** 21,000 N at 6.2 bar or 4,720 Lbf at 90 psi compressed air pressure
23,500 N at 7.0 bar or 5,280 Lbf at 100 psi compressed air pressure
- **Stroke:** 0 ~ 9 mm or 0 ~ 0.36"



FEATURES



- **Innovative Fixing Hole Design™** solves the headache problem of Rivet Nut stuck with Threaded Mandrel, and helps exchange Threaded Mandrels. Same for Rivet Bolt (Stud).

- **Robust Forged Aluminum Alloy Oil Cylinder with Titanium Color finish and High Strength Aluminum Alloy Air Cylinder with Black Sand Powder Coat** for strength, durability and valuable look.

- **Mirror finish on the Inner Walls of Oil Cylinder and Air Cylinder** for precision and wear resistance.

- **Hard Chrome Plating and Mirror finish on the Rods of Oil Piston and Air Piston** for fast operation and long operation life.

- **Unique Adjustable Fastening Speed Design™:** **The Slow Speed** is ideal for setting Rivet Nut or Rivet Bolt (Stud) in the Painted Car Body or Thin Work Piece or Specific Applications perfectly.

RIVETING CAPACITY

Thread Size	Rivet Nut/Bolt Material		
	Aluminum	Steel	Stainless Steel/Inox
M4 x 0.7 / M3 x 0.5 or 6-32 / 8-32 Rivet Nut / Rivet Bolt (Stud)	●	●	●
M5 x 0.8 or 10-24, 10-32 Rivet Nut / Rivet Bolt (Stud)	●	●	●
M6 x 1.0 or 1/4-20 Rivet Nut / Rivet Bolt (Stud)	●	●	●
M8 x 1.25 or 5/16-18 Rivet Nut / Rivet Bolt (Stud)	●	●	●
M10 x 1.5 or 3/8-16 Rivet Nut	●	●	●
M12 x 1.75 or 1/2-13 Rivet Nut	●	●	●

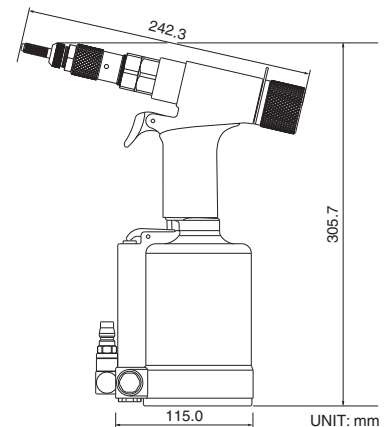


- **Special Hand Spin In – Air Pull – Hand Spin Out Design™** prevents the Painted Car Body or Thin Work Piece or Specific Applications from being damaged.

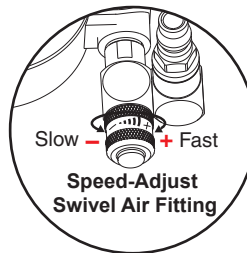
- **Smart Ergonomically Designed Handle and PAHs-Free (non-toxic to hand skin) Plastic Soft Grip** offer balanced, safe and comfortable operation.

- **Innovative Fixing Hole Design™, Adjustable Stroke Design™, Shock-Free Design™, Noise Silencer Design™, Speed-Adjust Swivel Air Fitting Design™, and Twin Air Inlets Design™.**

DIMENSIONS & WEIGHT



- **Weight:** Approx. 2.35 Kg or 5.18 Lb



SKYLOG SDN. BHD.

No 9-1, Jalan Sungai Burung Z32/Z, Bukit Rimau, Seksyen 32, 40460 Shah Alam, Selangor, Malaysia

TEL : +60 3 5525 8299

SALES : +6016 9922 733

✉ cs@skylog.com.my

🌐 www.skylog.com.my/industrial

